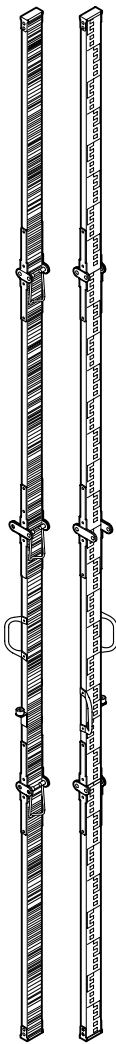
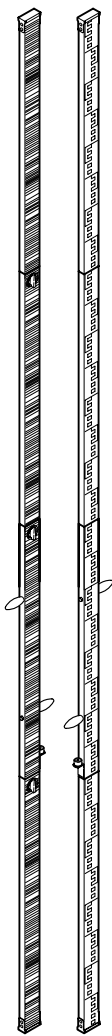


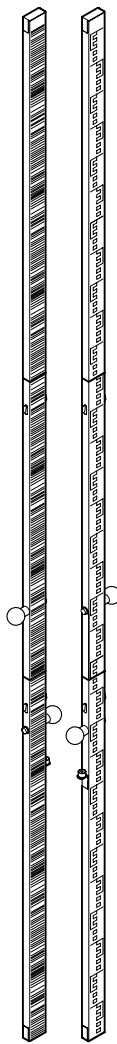
# GNLE4C • GANL4C • GKNL4M/GKNL4F



**GNLE4C**



**GANL4C**

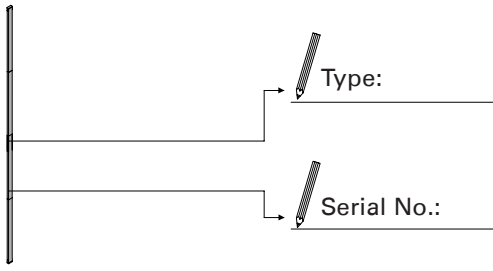


**GKNL4M  
GKNL4F**

**Gebrauchsanweisung**  
**User Manual**  
**Mode d'emploi**  
**Ilstruzioni d'uso**  
**Instrucciones de uso**  
**Gebruiksaanwijzing**  
**Bruksanvisning**  
**Veiledning**  
**Käyttöohje**  
**Yleisohje**  
**Leiðbeiningar um notkun**  
**Instruções de utilização**  
**Οδηγία χρήσης**  
**使用说明**



**Leica**  
**Geosystems**



**de** *Aufstellen GNLE4C*

**en** *Setup GNLE4C*

**fr** *Installer GNLE4C*

**it** *Installazione GNLE4C*

**es** *Instalación GNLE4C*

**nl** *Opstellen GNLE4C*

**sv** *Uppställning GNLE4C*

**no** *Oppsett GNLE4C*

**fi** *Asennus GNLE4C*

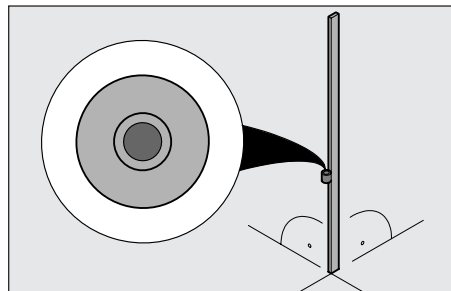
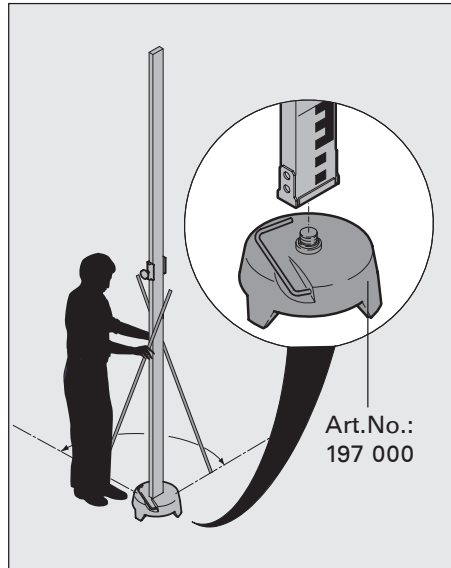
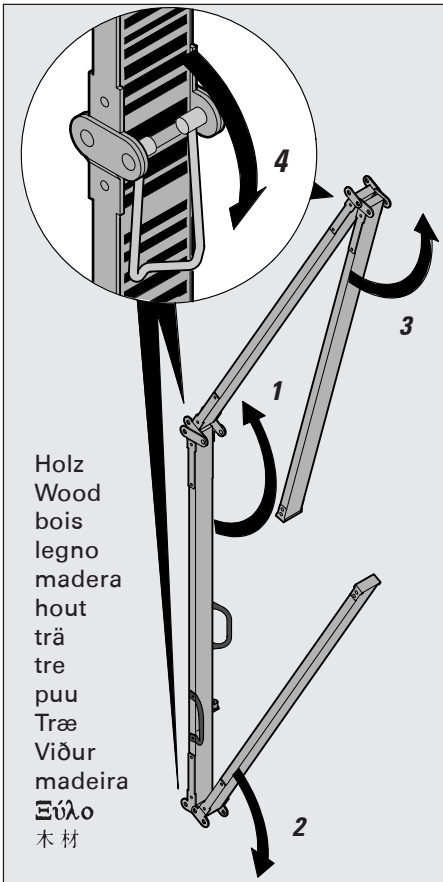
**dk** *Opstilling GNLE4C*

**is** *Uppsetning GNLE4C*

**pt** *Montagem GNLE4C*

**el** *Τοποθέτηση GNLE4C*

**ja** *設置 GNLE4C*



**de** Aufstellen GANL4C

**en** Setup GANL4C

**fr** Installer GANL4C

**it** Installazione GANL4C

**es** Instalación GANL4C

**nl** Opstellen GANL4C

**sv** Uppställning GANL4C

**no** Oppsett GANL4C

**fi** Asennus GANL4C

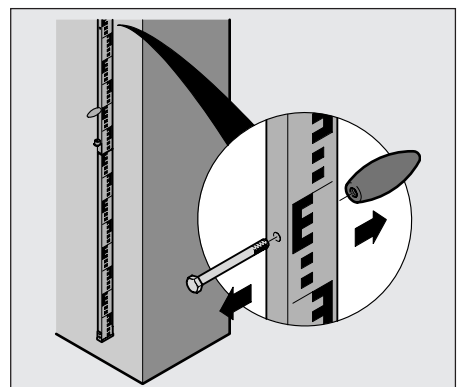
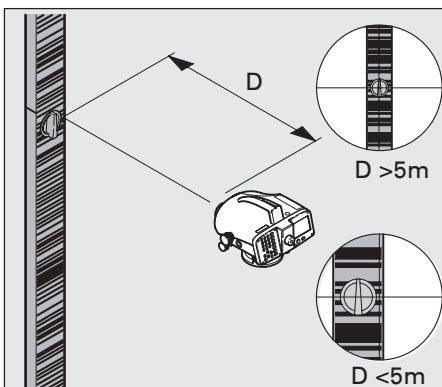
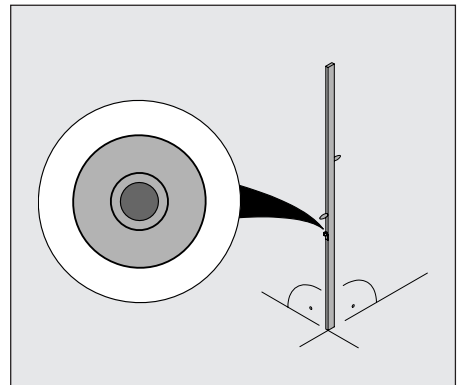
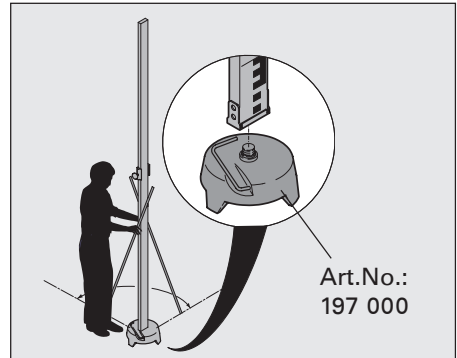
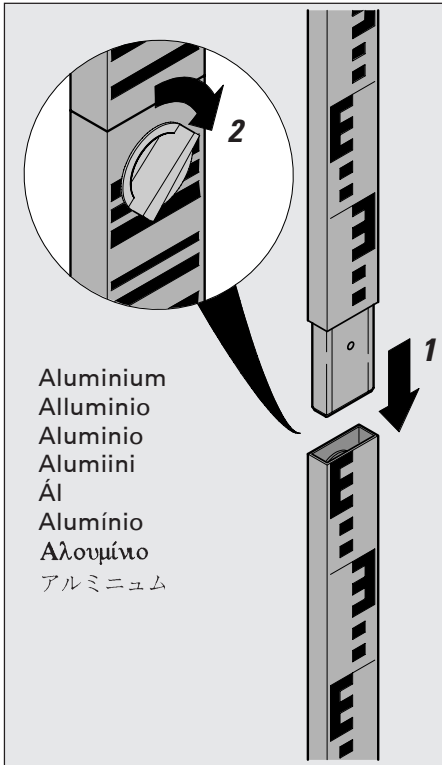
**dk** Opstilling GANL4C

**is** Uppsetning GANL4C

**pt** Montagem GANL4C

**el** Τοποθέτηση GANL4C

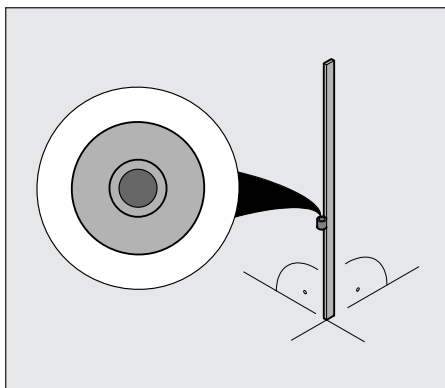
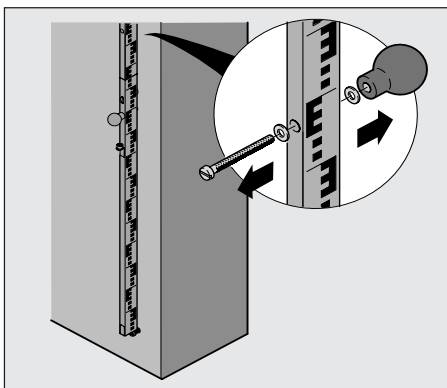
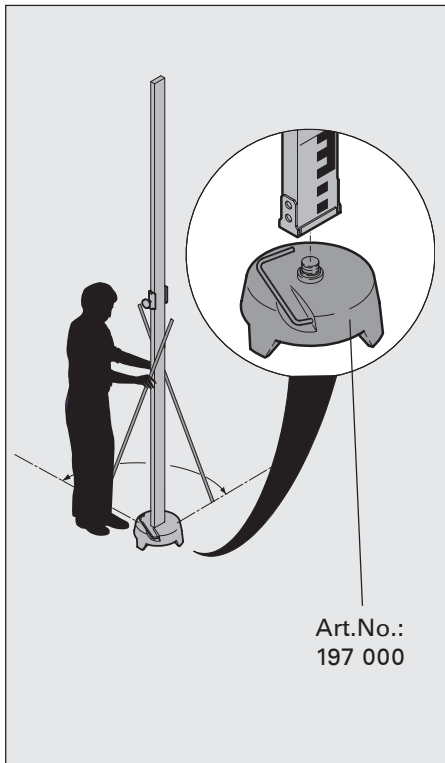
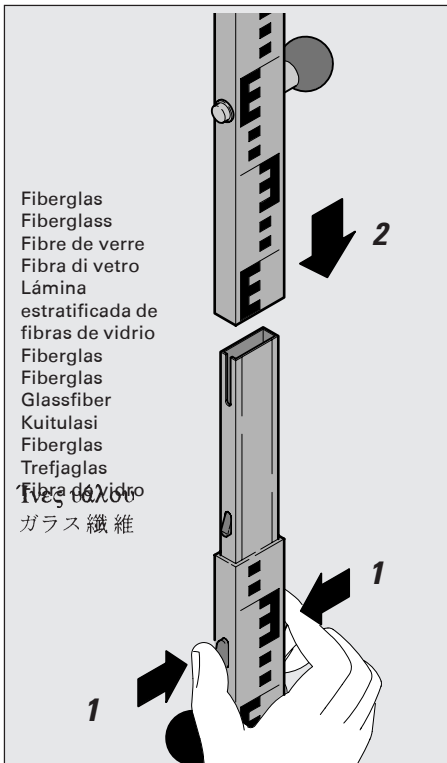
**ja** 設置 GANL4C



**de** Aufstellen GKNL4M/F  
**en** Setup GKNL4M/F  
**fr** Installer GKNL4M/F  
**it** Installazione GKNL4M/F  
**es** Instalación GKNL4M/F

**nl** Opstellen GKNL4M/F  
**sv** Uppställning GKNL4M/F  
**no** Oppsett GKNL4M/F  
**fi** Asennus GKNL4M/F  
**dk** Opstilling GKNL4M/F

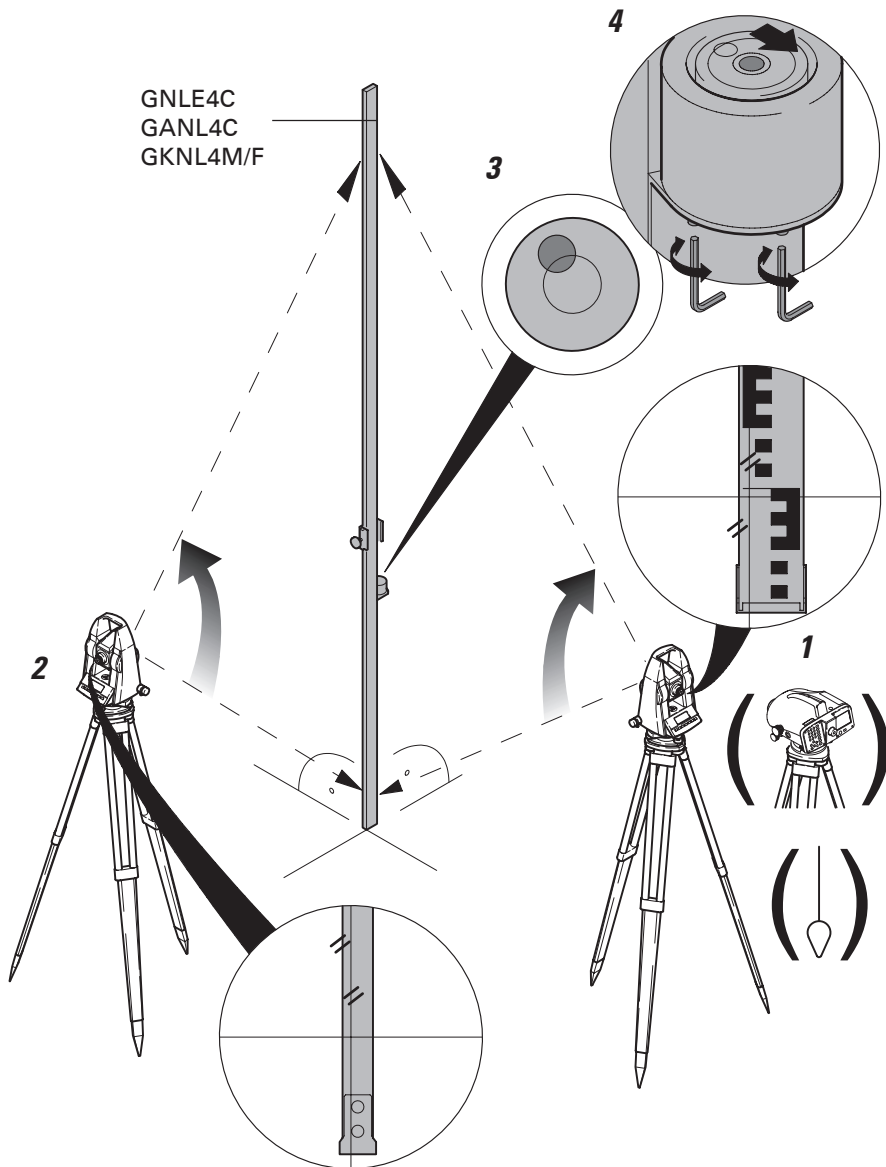
**is** Uppsetning GKNL4M/F  
**pt** Montagem GKNL4M/F  
**el** Τοποθέτηση GKNL4M/F  
**ja** 設置 GKNL4M/F



**de** Dosenlibelle justieren  
**en** Adjusting circular level  
**fr** Ajustage  
**it** Regolare la livella circol.  
**es** Ajuste de nivel esférico

**nl** Dooswaterpas afstellen  
**sv** Justera doslibell  
**no** Justering av vater  
**fi** Rasiatasaimen säätö  
**dk** Justering af dâselibelle

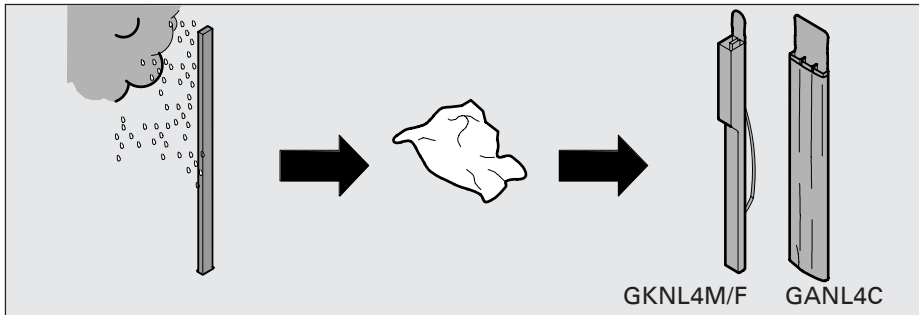
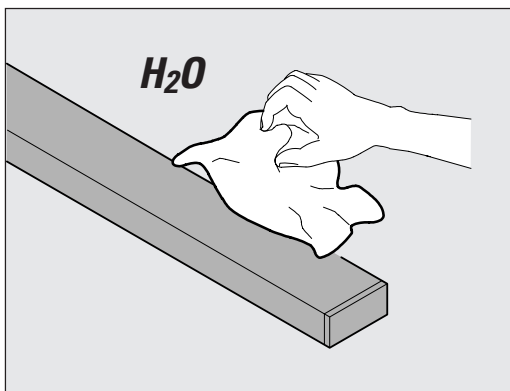
**is** Stilling hallamælis  
**pt** Ajustar  
**el** Ρύθμιση αλφαδιού  
**ja** 水準器調整



**de** *Pflege und Lagerung*  
**en** *Care and Storage*  
**fr** *Entretien et stockage*  
**it** *Cura e magazzino*  
**es** *Cuidado y almacenaje*

**nl** *Verzorging en opslag*  
**sv** *Skötsel och förvaring*  
**no** *Vedlikehold og lagring*  
**fi** *Huolto ja varastointi*  
**dk** *Vedligeholdelse*

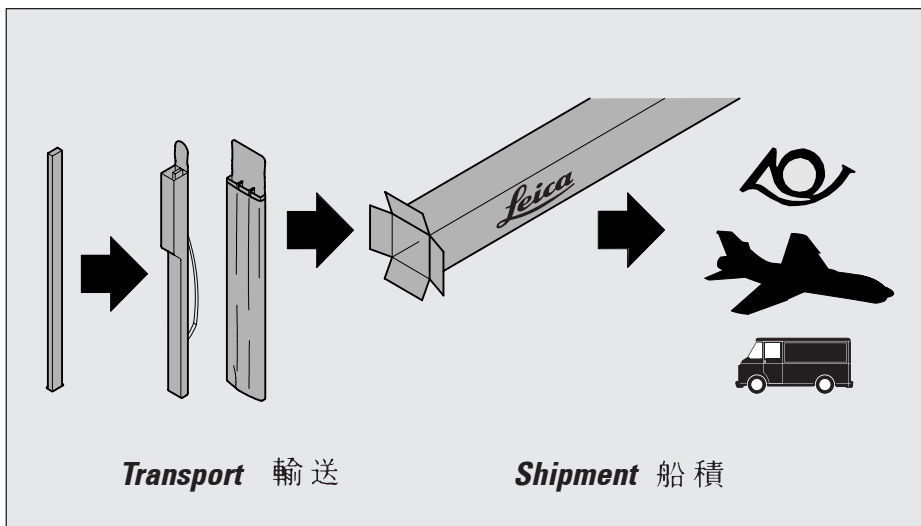
**is** *Hirðing og geymsla*  
**pt** *Cuidados e armazenam.*  
**el** *Συντήρηση*  
**ja** *貯蔵と保管*



**de** *Transport/Versand*  
**en** *Transport/Shipment*  
**fr** *Transport/Expédition*  
**it** *Trasporto/Spedizione*  
**es** *Transporte/Expedición*

**nl** *Transport/ verzending*  
**sv** *Transport/ export*  
**no** *Transport / forsendelse*  
**fi** *Kuljetus/ lähetyks*  
**dk** *Transport/ Forsendelse*

**is** *Sending og flutningur*  
**pt** *Transporte/ envio*  
**el** *Μεταφορά*  
**ja** *輸送 / 船積*



**de** Sicherheitshinweise

**en** Safety notes

**fr** Indication de sécurité

**it** Avvertenze di sicurezza

**es** Normas de seguridad

**nl** Veiligheidsvoorschriften

**sv** Säkerhetsanvisningar

**no** Sikkerhetshenvisninger

**fi** Turvallisuusohjeet

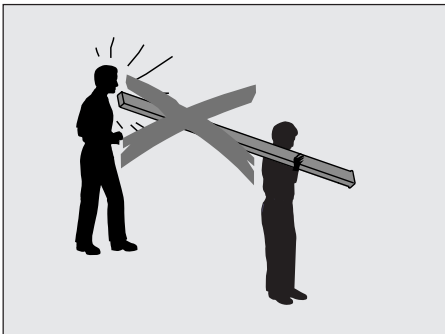
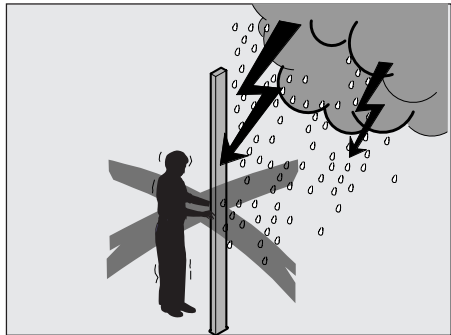
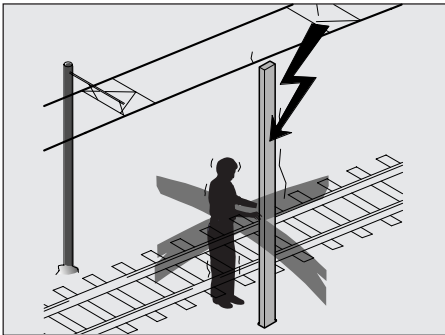
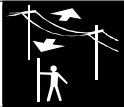
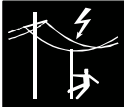
**dk** Sikkerhedshenvisninger

**is** Öryggisá bendingar

**pt** Instruções de segurança

**el** Υποδείξεις ασφαλείας

**ja** 安全指示





**de** Technische Daten

**en** Technical data

**fr** Données techniques

**it** Specifiche tecniche

**es** Datos técnicos

**nl** Technische specificaties

**sv** Tekniska data

**no** Tekniske data

**fi** Tekniset tiedot

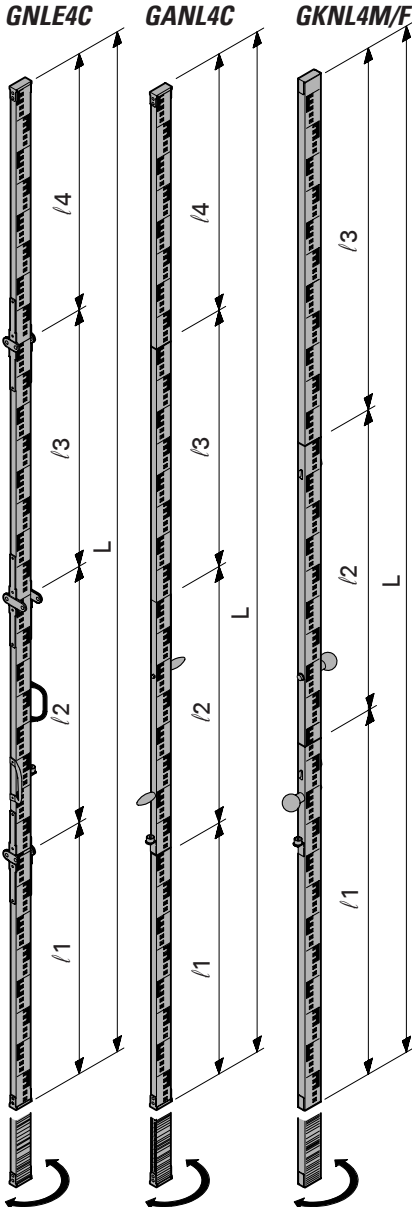
**dk** Tekniske data

**is** Tæknilegar upplýsingar

**pt** Dados técnicos

**el** Τεχνικά στοιχεία

**ja** 技術仕様



	<b>GNLE4C</b>	<b>GANL4C</b>	<b>GKNL4</b>
L	4m	4m	4.05m
l1 ... l4	1m	1m	1.35m
LTransport	1.04m	1.1m	1.58m
	4.2kg	2.8kg	4.4kg
$\alpha T$	5ppm/°C	24ppm/°C	<10ppm/°C
$\Delta L$ (DIN18703)	$\pm (0.3\text{mm} + 3 \cdot L \cdot 10^{-4})$		
	-20°C - +50°C		
	-40°C - +70°C		
	$\pm 10'$		
	25'/2mm		

**Leica Geosystems AG,  
Heerbrugg, Switzerland, has  
been certified as being  
equipped with a quality system  
which meets the International  
Standards of Quality Manage-  
ment and Quality Systems (ISO  
standard 9001) and Environ-  
mental Management Systems  
(ISO standard 14001).**



**Total Quality Management-  
Our commitment to total  
customer satisfaction**

*Ask your local Leica  
Geosystems agent for more  
information about our TQM  
program*

***Leica***  
**Geosystems**

*Leica Geosystems AG  
CH-9435 Heerbrugg  
(Switzerland)*

*Phone +41 71 727 31 31  
Fax +41 71 727 46 73*

*[www.leica-geosystems.com](http://www.leica-geosystems.com)*

664911-2.0.0

Printed in Germany - Copyright Leica Geosystems AG, Heerbrugg, Switzerland 2004